

IP68 NMEA-0183 COMPASS



FEATURES

- IP68 - see note 1
- Connects directly to A5500
- NMEA-0183
- 2 Axis Tilt compensation to 45°
- 10-30 V Supply
- Rich command set
- Rate-of-Turn sentence (HFROT)
- Auto calibration button
- Set zero button
- A5024 has AD-10 output

APPLICATIONS

- Marine and Vehicle Compass
- Radar “North up”
- Autopilots
- AIS
- Of-Course Alarm systems

ABSOLUTE MAXIMUM RATINGS

PARAMETER	DESCRIPTION	NOTES	CONDITIONS	VALUE	UNIT
Θ_{STOR}	Storage Temp Range			-20 to +100	°C
Θ_{OPER}	Operating Temp Range		Vcc = 12v	-20 to +60	°C
	Shock Resistance		Single impact	±40	G
	Vibration Resistance		60Hz, 10 Minutes	±11	G
V _{CC}	Supply Voltage		At 40degC	30	Vdc
P _{MAX}	Operating Pressure Range	2		-0.5 to +2	Bar

PERFORMANCE

PARAMETER	DESCRIPTION	NOTES	CONDITIONS	MIN	TYP	MAX	UNIT
t _{PU}	Time to valid output	3	After power-on			4	s
ERR _{OP}	Output error	4	heel of 0°		0.3	1	Degrees
	Output Change With Tilt	5	heel of 35°			2	
		5	heel of 45°			4	

- Notes**
- 1 2 day immersion at 1.2m
 - 2 Can be shipped at 0Bar
 - 3 There is a command to delay data until after this time
 - 4 After auto-calibration with original error not more than 20degrees
 - 5 In addition to error at 0 degrees of tilt

ORDER INFORMATION

PART	DESCRIPTION	SHIPPING WEIGHT
A5023A	0183 Compass 15m cable	1.0kg
A5023B	0183 Compass 7.5m cable	500g
A5023C	0183 Compass 1m cable	120g
A5024A	0183 Compass 15m cable	1.0kg
A5024B	0183 Compass 7.5m cable	500g
A5024C	0183 Compass 1m cable	120g

A5023 A5024

ELECTRICAL CHARACTERISTICS AT 20°C

PARAMETER	DESCRIPTION	NOTES	MIN	TYP	MAX	UNIT
V _{CC}	Supply Voltage		10	12-24	30	Vdc
I _{CC}	Current consumption			30		mA
	NMEA Output Load			4		NMEA loads
I _{O(max)}	Furuno output load	Data and clock (A5024 only)			1	mA

NMEA-0183 OUTPUT FORMAT (software subject to change)

The output from the compass is a standard NMEA-0183 sentence which can be configured to be in one of several standard forms: Eg: \$HCHDG, hhh.h, , , , *ss<CR><LF> or \$HCHDT, hhh.h, T<CR><LF>

where hhh.h represents the magnetic heading with one decimal place of precision, i.e: 000.0 to 359.9 degrees. The two HEX digits, ss, are a checksum. Serial output is RS422, 4800 Baud, 8 data bits, 1 stop bit, no parity.

An option is to include \$HFROT, zxxx.x, A*cc<CR><LF>

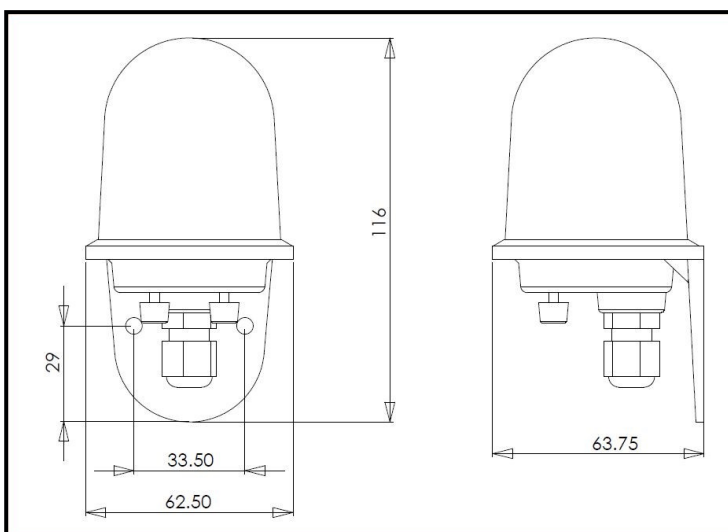
The compass may be configured via several proprietary input sentences, and will reply with an 'Acknowledge' output sentence \$PATC, HCHDG, ACK <CR> <LF> when any of the sentences listed below are received.

SOME COMMAND EXAMPLES

\$PATC, IIHDG, IAC (or XCL<CR><LF>
 \$PATC, IIHDG, 0CV <CR><LF>
 \$PATC, IIHDG, AHD, fff.f<CR><LF>
 \$PATC, IIHDG, DHD, ddd.d<CR><LF>
 \$PATC, IIHDG, TXP, mmmm<CR><LF>

FUNCTION

Start (or stop) auto-calibration
 Reset all calibration data to factory default
 Set reference heading (f = 0 to 359.9 degrees)
 Set heading damping (d = 0 to 100.0%)
 Set NMEA-0183 output sentence interval (in range m=100 to 3000 ms- default is 100 ms)
Also commands for:
 LED on/off, sentence structure, checksum, serial number, autocal status and power-up delay.



CONNECTIONS

A5023

- | | |
|----------|-----------|
| 1 Green | NMEA IN+ |
| 2 Yellow | NMEA IN- |
| 3 Red | +10-30V |
| 4 Blue | NMEA OUT+ |
| 5 Screen | GND |

A5024

- | | |
|----------------|-----------|
| 1 Red | +10-30v |
| 2 White | NMEA IN+ |
| 3 Brown | NMEA IN- |
| 4 Black /Green | GND |
| 5 Yellow | NMEA OUT+ |
| 6 Blue | AD-10 CLK |
| 7 Violet | AD-10 DAT |