

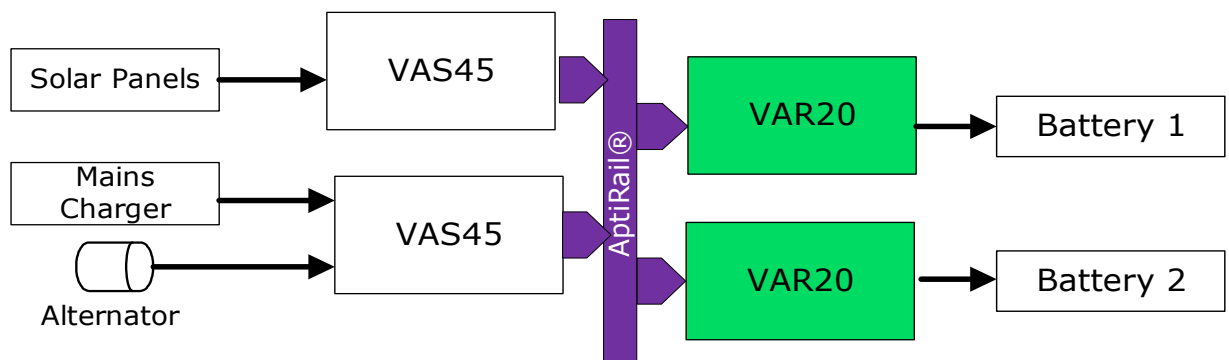
Battery Regulator

For any Multi-Battery Multi-Source installation

- Yachts and Barges
- Motor-homes
- Coaches
- Emergency Vehicles
- Military
- Communications Installations

features

- Part of the Autonnica® AptiVolt® range
- Busbar connect directly to AptiRail®
- Delivers up to 20A of charging current
- 3 stage charge profile
- Manages a single 12V battery or bank
- 3 levels of charge Priority Setting
- 5 different Battery Chemistries
- AptiLoop® enabled for full monitoring
- Will deliver up to 290W of charging
- Visual display of battery charge current
- LED status monitoring
- Very low standby battery drain
- Battery Temperature Monitoring
- Reverse protection
- Battery Recovery



ABSOLUTE MAXIMUM RATINGS

PARAMETER	DESCRIPTION	NOTES	CONDITIONS	VALUE	UNIT
Θ_{STOR}	Storage Temp Range			-20 to +100	°C
Θ_{AMB}	Operating Temp Range			-20 to +50	°C
	Shock Resistance		Single impact	±10	G
	Vibration Resistance		60Hz, 10 Minutes	±5	G
V_{CC}	AptiRail Supply Voltage		At 25degC	25	Vdc

ORDER INFORMATION

PART	DESCRIPTION	SHIPPING WEIGHT
VAR20	A series Regulator	200g

ELECTRICAL CHARACTERISTICS AT 20°C

PARAMETER	DESCRIPTION	NOTES	MIN	TYP	MAX	UNIT
V _{cc}	Input Voltage	Priority levels 1,2 and 3	16.2	16.4	16.6	Vdc
Eff	Power conversion efficiency	At 15A			98	%
Vbat	Battery charging range		10		16	V
I _{out}	Battery Charge Current		2		20	A
I _q	Battery drain when off			4		mA

Command Set NOTE standard address as delivered is 1 or 2

This data available on AptoLoop at 1200b/s

Debug

\$APA, <address>, <data><CR> \$APA, <address>, <data><CR>

Status

\$APE, <address>, <data><CR> \$APE, <status>*<checksum>

Fault code

\$APF, <address><CR> \$APF, <address>, <faultstatus>, <faultcode>*<checksum><CR>

Information

\$API, <address><CR> \$API, <address>, <device type>, <serial number>, <firmware version>, <hardware revision>*<checksum><CR>

Get data

\$APQ, <address><CR> \$APQ, <address>, <status>, VAR20, <VINA>, <VOUT>, <IINA>, <IOUT>, <TBOX>*<checksum><CR>

Set address

\$APS, <current address>, <new address><CR> \$APS, <new_address>, <status>*<checksum><CR>

Push-Button Operation

Set to Stand-by
 Set to Run (from Fault)
 Select Priority (Low, Medium or High)
 Select Battery Chemistry Lead Wet
 Lead AGM
 Lead gel
 Lithium
 Nickel-Iron or Nickel-Cadmium

CONNECTIONS

Top: 1 Ground
 2 Logic input. Join to pin 1 to turn OFF
 3 Status output. Will sink up to 100mA at12V

Main 1 Battery +
 2 Battery -
 3 Temperature Probe +
 4 Temperature Probe -

DIMENSIONS

138H x 74W x 80D
 IP30
 DIN RAIL (top hat) mounted