

## NMEA 2000 WIND SENSOR



The NMEA 2000 version of Autonnic's Wind Sensor provides wind-speed and direction data in the standard format. It is ideal as a direct replacement for existing installations or for new installation.

It is available in 3 arm lengths for Power, Normal and the Extended is mainly for racing.

- Robust construction for long life
- Sealed to IP68
- Magnetic sense of Direction
- Magnetic sense of Speed
- NMEA-2000
- Available in 3 different lengths
- Terminated for end-of-backbone
- LON = 1

### PERFORMANCE

PARAMETER	DESCRIPTION	NOTES	CONDITIONS	MIN	TYP	MAX	UNIT
ERR <sub>WS</sub>			10-40 knots		3	5	%
ERR <sub>DIR</sub>			20knots		3	7	Degrees
t <sub>DSET</sub>	Direction Settling Time		Minimum filtering			1.3	Second
t <sub>WSSET</sub>	Speed Settling Time		Minimum filtering			2	Second

### ORDER INFORMATION

NUMBER	DESCRIPTION	WEIGHT g
A5130E	2K Wind extended	290
A5130N	2K Wind normal	275
A5130P	2K Wind power	250

## ABSOLUTE MAXIMUM RATINGS

PARAMETER	DESCRIPTION	NOTES	CONDITIONS	VALUE	UNIT
$\theta_{stor}$	Storage Temp Range			-40 to +100	°C
$\theta_{op}$	Operating Temp Range			-25 to +60	°C
V <sub>CC</sub>	Supply Voltage			30	V
S <sub>MAX</sub>	Wind Speed			80	Knots

## ELECTRICAL CHARACTERISTICS AT 20°C

PARAMETER	DESCRIPTION	NOTES	MIN	TYP	MAX	UNITS
V <sub>CC</sub>	Supply Voltage		8	12 or 24	30	Vdc
I <sub>CC</sub>	Current consumption			45		mA
	NMEA 2K loads power requirement			2		

### NMEA CONNECTIONS

- Terminated for end of backbone
- LON = 1
- 12V systems only
- Standard Micro-C connector and 1m cable

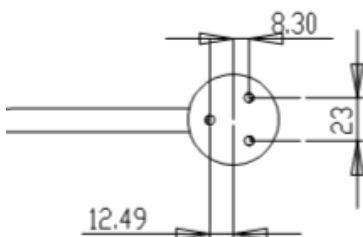
### NMEA COMMANDS

*Output PGN*  
Standard Windspeed and Direction (PGN:130306) at 10 per second

*Input PGNs*  
Custom (PGN: 127257). A 6-byte block of which only the first is used as follows:

Set Wind Heading to Zero = 7

## MECHANICAL

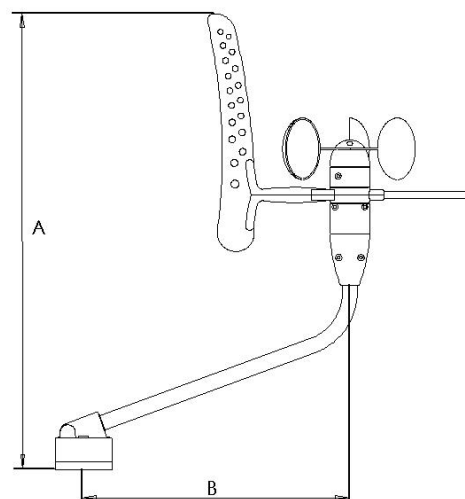


Base fixing centres.  
Holes are 5mm dia

The A5130E, N and P are supplied with 1m cable terminated in a standard NMEA 2000 plug.

Dimensions mm

A5130X	X	A	B
E	540	300	
N	390	225	
P	330	60	



**N** Normal for sailing cruising  
**E** Extended for racing  
**P** A shorter version for Power boats