

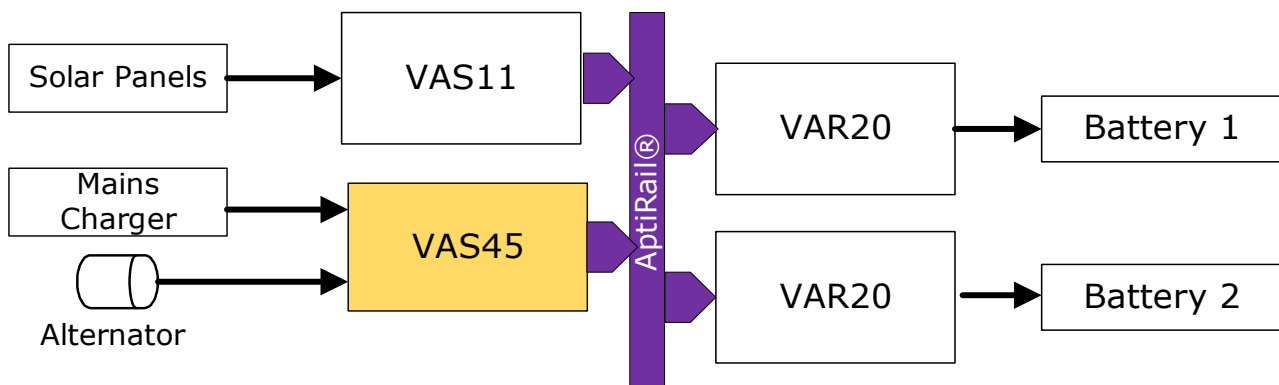
Source Manager for 12V DC inputs

Any Multi-Battery Multi-Source installation

- Yachts and Barges
- Motor-homes
- Coaches
- Emergency Vehicles
- Military
- Communications Installations

features:

- Boosts alternator output with no alternator modification
- Part of the Autonnic® AptiVolt® range
- Busbar connection directly to AptiRail®
- 3 Priority Levels
- Accepts up to 20A input total
- 2 input channels
- Disconnect surge protection
- AptiLoop® enabled for full monitoring
- Will deliver up to 300W of charging power
- Visual display of total source current
- LED status monitoring



ABSOLUTE MAXIMUM RATINGS

PARAMETER	DESCRIPTION	NOTES	CONDITIONS	VALUE	UNIT
Θ_{STOR}	Storage Temp Range			-20 to +100	°C
Θ_{AMB}	Operating Temp Range			-20 to +50	°C
	Shock Resistance		Single impact	±10	G
	Vibration Resistance		60Hz, 10 Minutes	±5	G
V_{CC}	AptiRail Supply Voltage		At 25degC	25	Vdc

ORDER INFORMATION

PART	DESCRIPTION	SHIPPING WEIGHT
VAS45	Alternator Manager	300g

ELECTRICAL CHARACTERISTICS AT 20°C

PARAMETER	DESCRIPTION	NOTES	MIN	TYP	MAX	UNIT
V _{CC}	Input Voltage		12	12.5	30	Vdc
Eff	Power conversion efficiency	At 15A input			98	%
Vrail	AptiRail output	Priority levels	16.7	16.9	17.1	V
I _{out}	AptiRail current	At 16.7V			15.5	A
I _{alt}	Input to alternator 'start'	At 13.5V			200	mA

Command Set NOTE standard address as delivered is 6

This data available on AptiLoop at 1200b/s. All devices respond to address 0.

Debug

\$APA,<address>,<data><CR> \$APA,<address>,<data><CR>

Status

\$APE,<address>,<data><CR> \$APE,<status>*<checksum>

Fault code

\$APF,<address><CR> \$APF,<address>,<faultstatus>,<faultcode>*<checksum><CR>

Information

\$API,<address><CR> \$API,<address>,<VAR45>,<serial number>,<firmware version>,<hardware revision>*<checksum><CR>

Get data

\$APQ,<address><CR>
 \$APQ,<address>,<status>,<VAR45>,<VINA>,<VINB>,<VOUT>,<IINA>,<IINB>,<IOUT>,<TBOX>*<checksum><CR>

Set address

\$APS,<current_address>,<new_address><CR> \$APS,<new_address>,<status>*<checksum><CR>

CONNECTIONS

Top: 1 Ground
 2 Logic input. Join to pin 1 to turn OFF
 3 Status output. Will sink up to 100mA at 12V

Main A 1 Power In+
 2 Power In-

Aux A 1 Alternator Start In
 2 Alternator Start Out

Main B 1 Power In+
 2 Power In-

Aux B 1 Alternator Start In
 2 Alternator Start Out

Button

Change Priority Levels (low, medium and high)
 Clear Fault State
 Set to Stand-by

DIMENSIONS

138H x 74W x 80D
 IP30
 DIN RAIL (top hat) mounted